

COBRA 230

IMPACT CRUSHER



TECHNICAL
SPECIFICATION



PLEASE ENSURE YOU ARE USING ADOBE ACROBAT
READER TO VIEW THIS DOCUMENT.

OVERVIEW

1

HOPPER

- 2.6 m³ (3.4 cubic yards) hopper capacity
- Integrated pre-screen for fines removal
- Feeder speed auto regulates based on crusher load

4

ENGINE OPTIONS

- John Deere constant speed 194kW @ 1800rpm
- Volvo T4F 205kW @ 1800rpm

2

IMPACT CHAMBER

- Crusher inlet opening: 860mm x 720mm (34" x 28.5")
- 830mm wide (33") x 860mm diameter (34") rotor
- Two independent aprons
- Hydraulic overload protection as standard
- Ease of setting adjustment

5

CONTROL SYSTEM

- Simple intuitive push button operation

3

PRODUCT CONVEYOR

- 900mm (36") wide belt
- 3.0m (9'-10") discharge height
- Removable for maintenance

6

BY-PASS CONVEYOR OPTION

- 500mm (20") wide
- 2.4m (7'-10") discharge height

UP TO
250
TONNES PER HOUR
(275 US TPH)



**WIDENING
MATERIAL
PATH**

FEEDER

Fully enclosed hopper / feeder to eliminate spillage

Hopper Capacity: 2.6m³ (3.4 cubic yards)

Hopper Width: 2m (6' 7")

Loading Height: 2.99m (9' 10")

Fabricated from 10mm (3/8") thick wear resistant steel

Replaceable 10mm (3/8") wear liners on feeder floor

Proven twin shaft geared vibrator assembly

Feeder speed automatically regulates depending on engine load



FEEDER

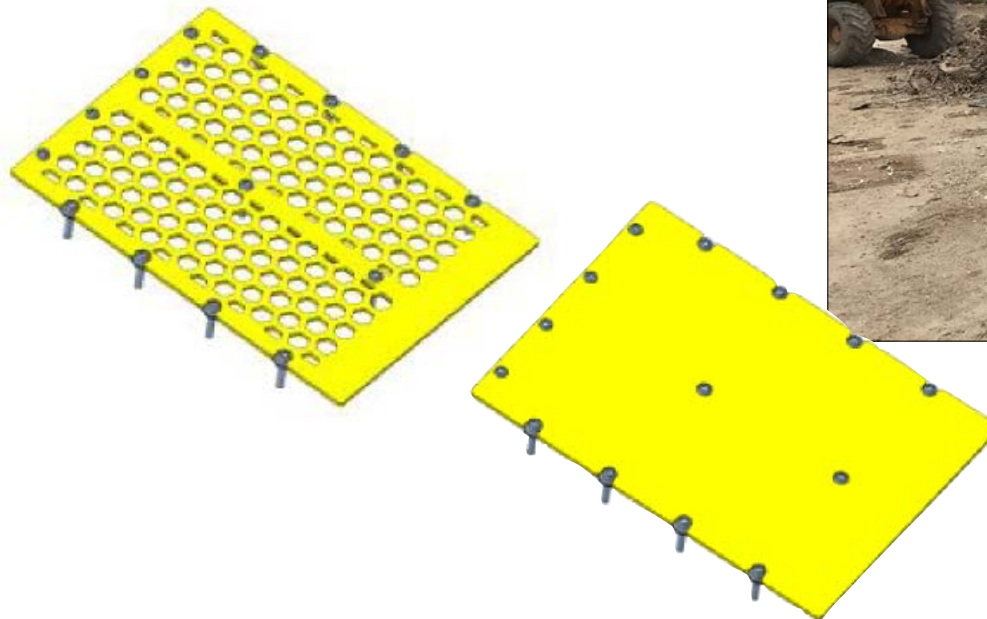
Integrated Pre-Screen for removal of fines

40mm (1.5") Punch Plate as standard

Other apertures, Grizzly bars and Blanking Plate available
as an option

All 3 options are fully interchangeable

Screen area: 1080 x 810mm (3' 7" x 2' 8")



CRUSHER

Proven Terex CR004 Impact chamber

Crusher inlet opening: 860mm x 720mm (34" x 24")

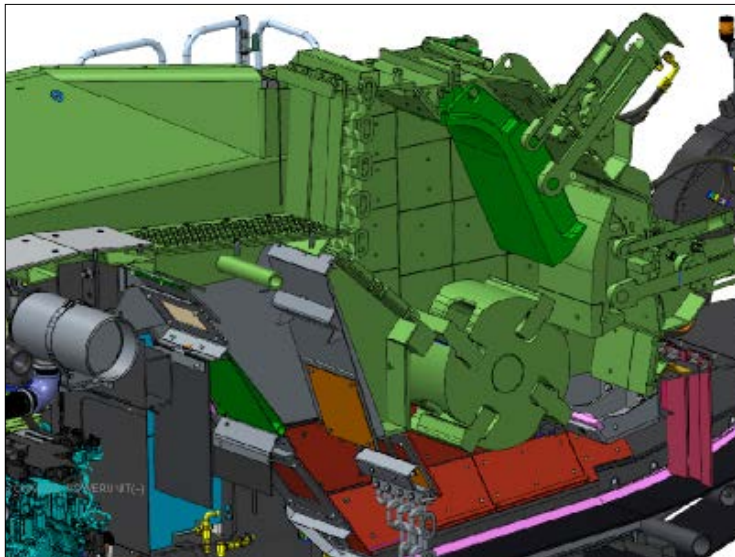
Inlet Opening (Feeder to Crusher):

800mm x 615mm (32" x 24")

Two independent aprons

Optional Tiled Corrugated primary apron available

Variable tip speed 34-41m/s depending on engine configuration. (750-900RPM)



** Please contact the Technical Sales and Applications department if you have any questions on Blowbar selection or Applications.*

CRUSHER

Rotor diameter:	860mm (34")
Rotor width:	830mm (33")
Overload Protection:	Hydraulic
Apron Configuration:	Two Independently Operated Aprons
Setting Adjustment:	Hydraulic Assist
Max apron setting - Upper:	120mm (4.75")
Min apron setting - Upper:	40mm (1.5")
Max apron setting - Lower:	55mm (2.25")
Min apron setting - Lower:	20mm (0.75")
Side Liners:	20mm (0.75") wear resistant plate (500Hb) as standard
Number of Blowbars:	4 (2 High / 2 Low as standard; 4 High Optional)
Blowbar weight:	140Kgs (309lbs)
Blowbar Removal:	Horizontally
Max Lump Size*:	400mm ³ (16in ³) / 700mm (28") diagonally / 750x450x200mm slab

** Depending on the material specification & blow bar spec.*



The hydraulic cylinders are pre-loaded to minimise apron bounce & wear on the cylinders. This arrangement also greatly reduces the oversize produced and is Patented GB2455203

CRUSHER

UNDER CRUSHER CHUTE

Replaceable liners on all sides: 20mm (¾") in impact zone, 6mm (¼") at bypass chute

Good clearance from Rotor to Belt: 420mm (16.5")

Minimal snagging points for rebar / material in recycling applications.



PRODUCT CONVEYOR

- Belt width:** 900mm (36")
- Belt specification:** EP500/3, 8+2 (Steel wire breaker ply)
- Discharge height:** 3m (9' 10") Folding head section for transport

Can be lowered whilst running to aid removal of blockages and also to improve service.

Conveyor can be removed as a unit if required. All electrical / hydraulic connections have connection points on chassis.

High specification head drum scraper



POWER UNIT

Fully enclosed power-unit under vibrating feeder

EU / ROW:

John Deere 194kW (260Hp) 6068 Constant Speed engine Operating Speed: 1500 / 1800 rpm

Tier 4 Final:

Volvo 205kW (275Hp) T4 Final engine Operating Speed: 1500 – 1800rpm variable

Clutch Type:

Highly efficient, self adjusting HPTO 12 dry plate clutch with electro hydraulic operation

Auxiliary components powered hydraulically



POWER UNIT

Easy service access with 'walk in' ability at rear to access engine dipstick / filters etc.

Hydraulic components grouped together and electrical components grouped together for easy troubleshooting

Hinged cooler pack to improve serviceability access and to aid cleaning



POWER UNIT

CRUSHER DRIVE

Direct drive via 6 SPC drive belts

Easily adjustable belt back tensioner for easy tensioning and belt replacement



DIESEL TANK

Capacity: 300 Litres (79 US Gallon)

Hinged to aid access to skirting rubber

ACCESS PLATFORMS

Ground level access to power-unit.

RHS chamber access via fold out ladders and handrails.

LHS access via fixed steps beside operators panel



TRACKS

Heavy duty bolt on track frames

2 speed motor as standard

Sprocket Centres: 3287 mm (10' 9")

Shoe Width: 400mm (16")

Gradeability: 30°

Rear rake angle: 15.5°

Front rake angle: 25°



CONTROLS

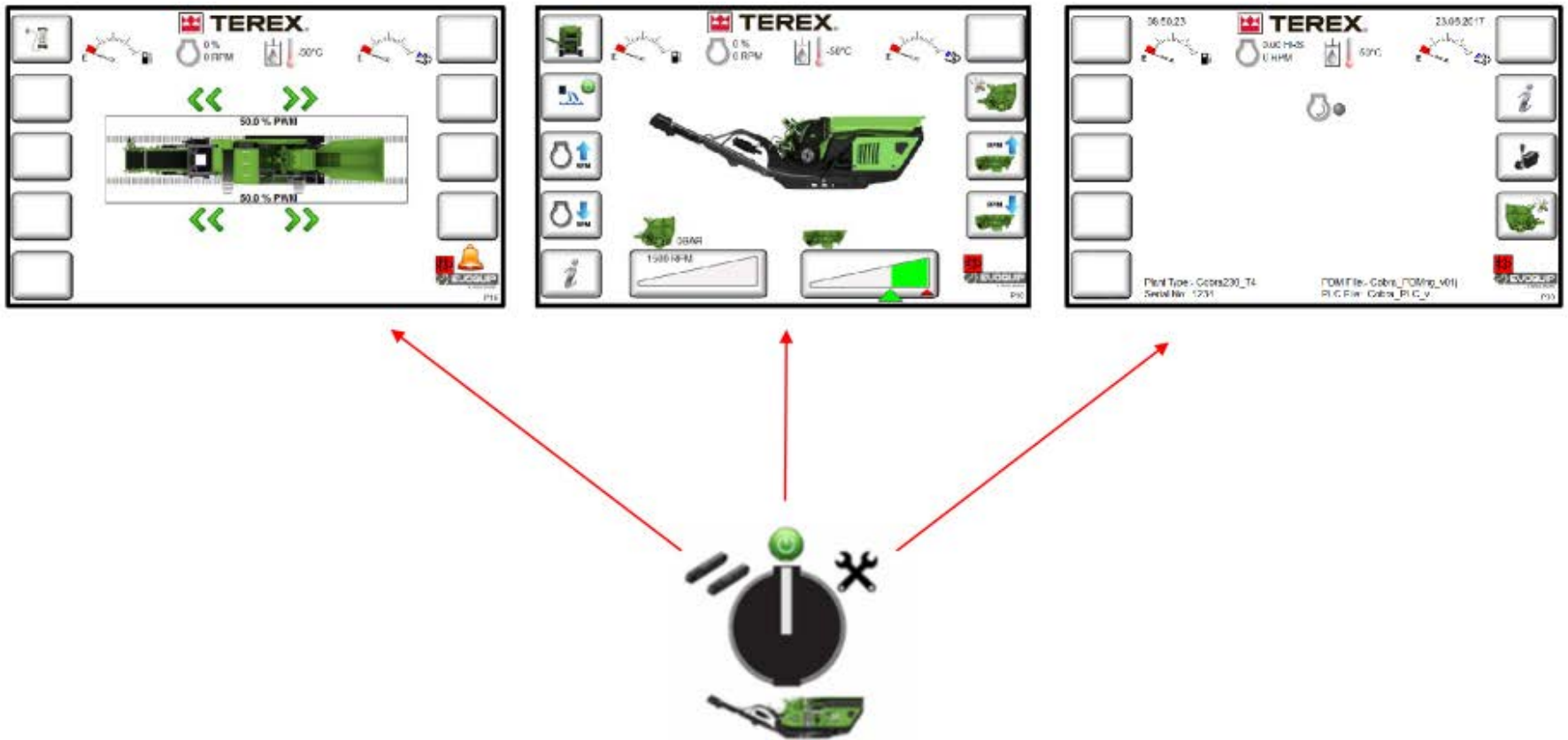
Intuitive 'push button' Control System

The Main control panel uses a Printed Circuit Board (PCB) solution to improved reliability.



CONTROLS

The main operating information screens are navigated by the operating mode selector switch



OPTIONS

Vibrating feeder options

- Different Media (Grizzly bars, Blanking Plate, Punch Plate)
- Bolt on protector plates

By-Pass conveyor

Chamber options

- Corrugated primary apron
- Blowbar options
- Blowbar removal tool
- Blowbar gantry

Product conveyor options:

- Dust covers
- Belt weigher

Overband magnet

- Single Pole
- Twin Pole

Electrical control

- Radio remote control
- Telemetry

Blowbar storage rack

Plant lighting mast

Hot / Cold climate oils

Dust suppression pump

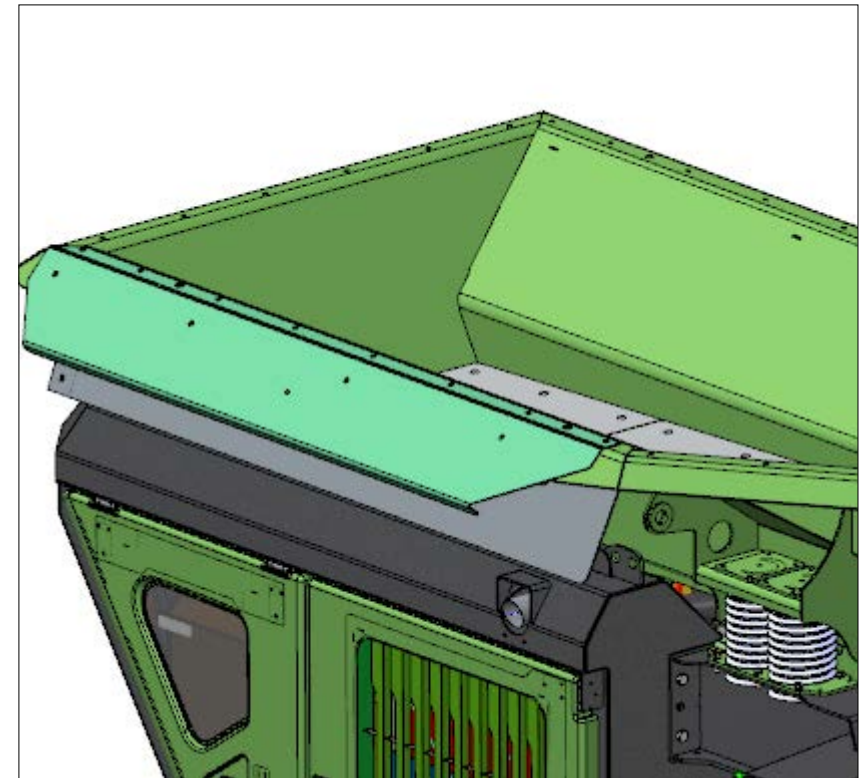
OPTIONS

VIBRATING FEEDER

Screen Media (Punch Plate, Grizzly Bars, Blanking Plate)



Bolt on protector plates



OPTIONS

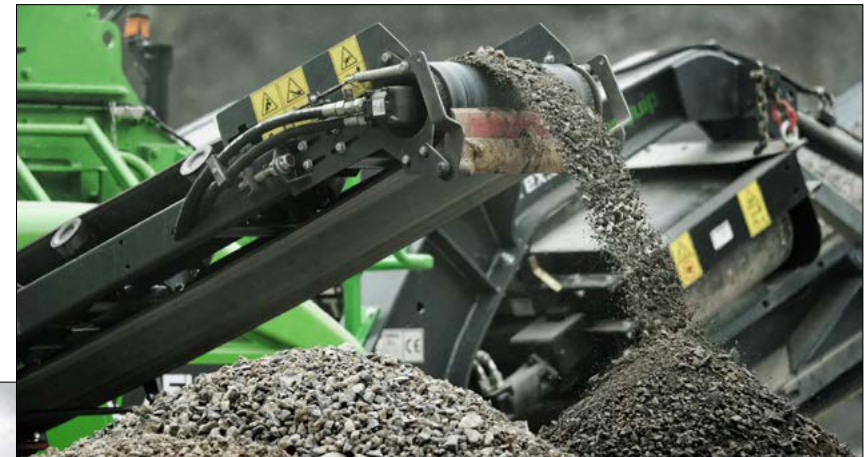
BY-PASS CONVEYOR

Belt width: 500mm (20") wide

Belt specification: EP400/3, 4 + 2

Discharge height: 2.4m (7'-10")

Hydraulically folds for transport



OPTIONS

CHAMBER

Corrugated primary apron



Blowbar Options



Blowbar types available are:-

- Martensitic
- Medium Chrome
- High Chrome
- Martensitic / Ceramic
- Medium Chrome / Ceramic
- High Chrome / Ceramic

** Please contact the Technical Sales and Applications department if you have any questions on Blowbar selection or Applications.*

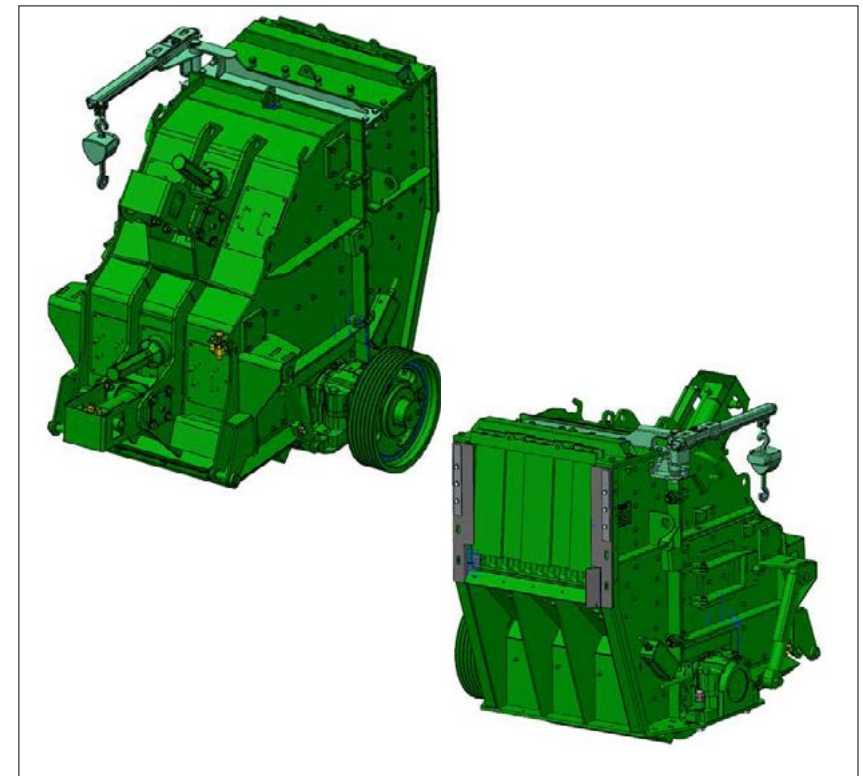
OPTIONS

CHAMBER

Blowbar Removal Tool



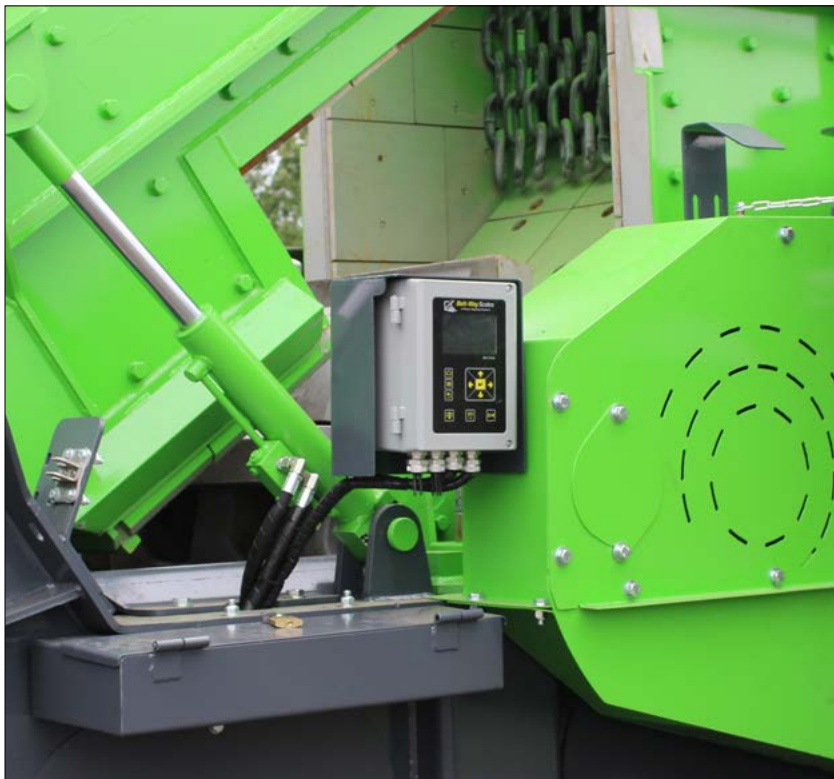
Blowbar Gantry



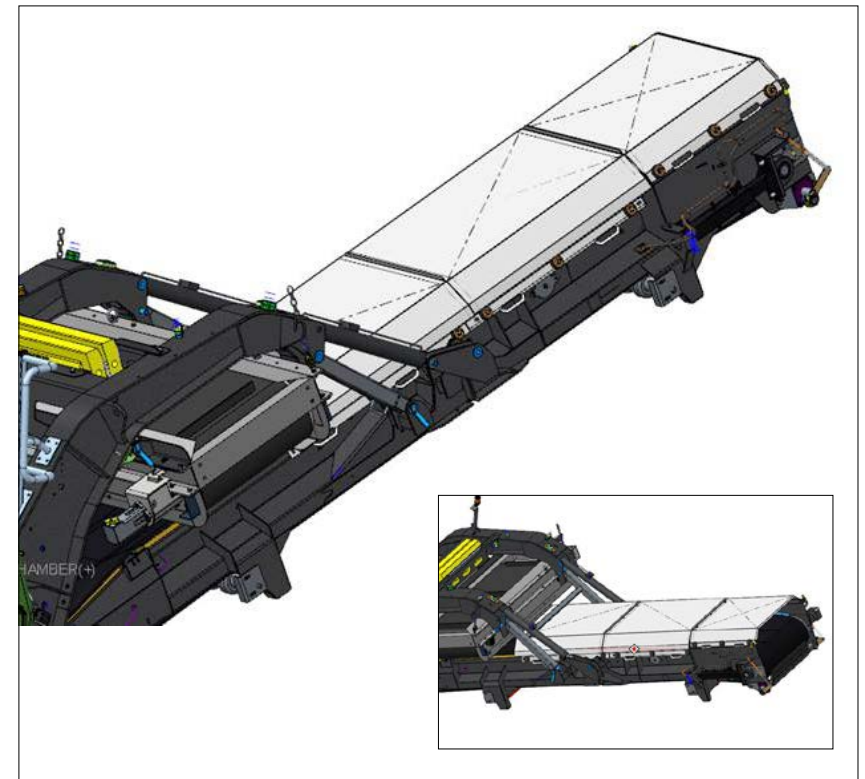
OPTIONS

PRODUCT CONVEYOR

Beltweigher



Dustcovers



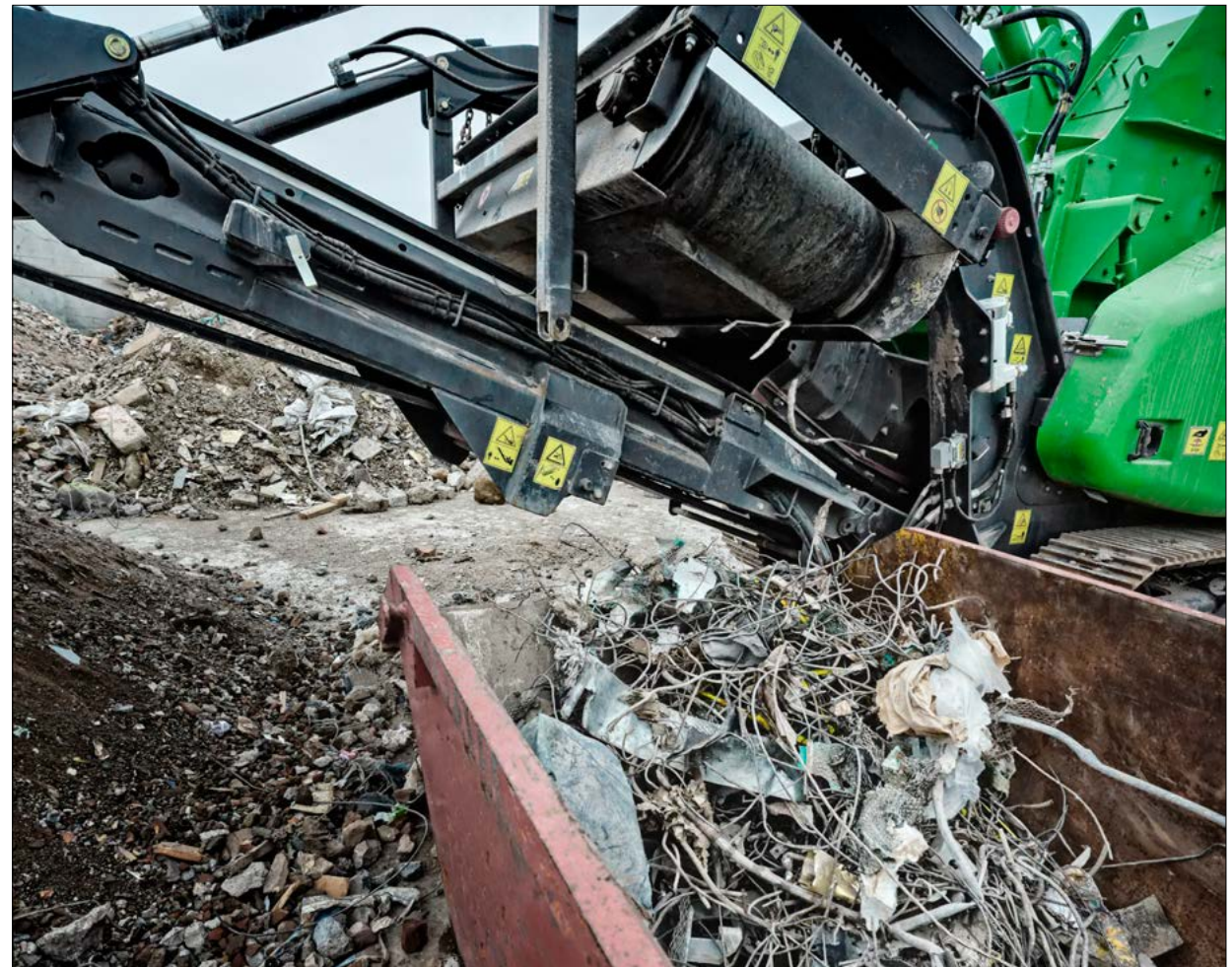
OPTIONS

MAGNET

Single Pole and Twin Pole magnets
available as an Option

750mm (30") Belt width

The short distance from the
crusher discharge to the magnet
reduces risk of rebar snagging and
blockages



OPTIONS

AFTERSCREEN

2.44m x 1.2m (8' x 4') single deck screen

Side tensioned mesh

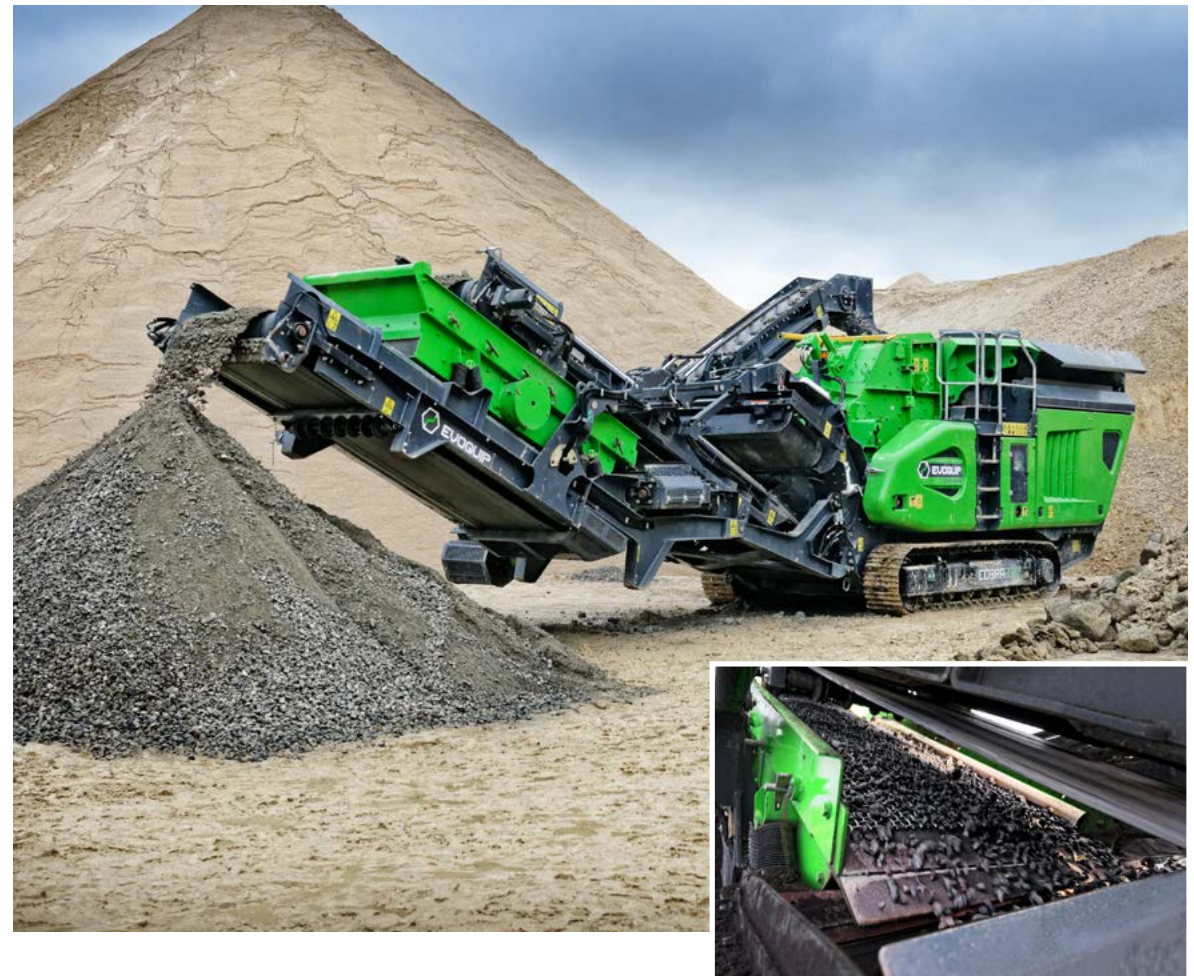
Screen Angle: 25 degrees

Screen Speed: 1200 rpm

Screen Stroke: 7mm

Screen can be lowered to horizontal to ease mesh change and maintenance

Ability to quickly detach the complete Afterscreen system to convert machine to a straight through model or be able to transport it separately



OPTIONS

TRANSFER CONVEYOR

Belt width: 500mm (20")

Belt specification: EP500/3, 5 + 1.5



OPTIONS

OVERSIZE CONVEYOR

Belt width: 500mm (20")

Belt specification: EP315/3 3+1.5 with
15mm cleats

Variable speed

440mm (17.5") ground clearance
beneath conveyor feedboot

Variable speed

Conveyor can hydraulically slew to
enable customer to stockpile oversize
material

Discharge height in Stockpile mode:
3.1m (10' 2")

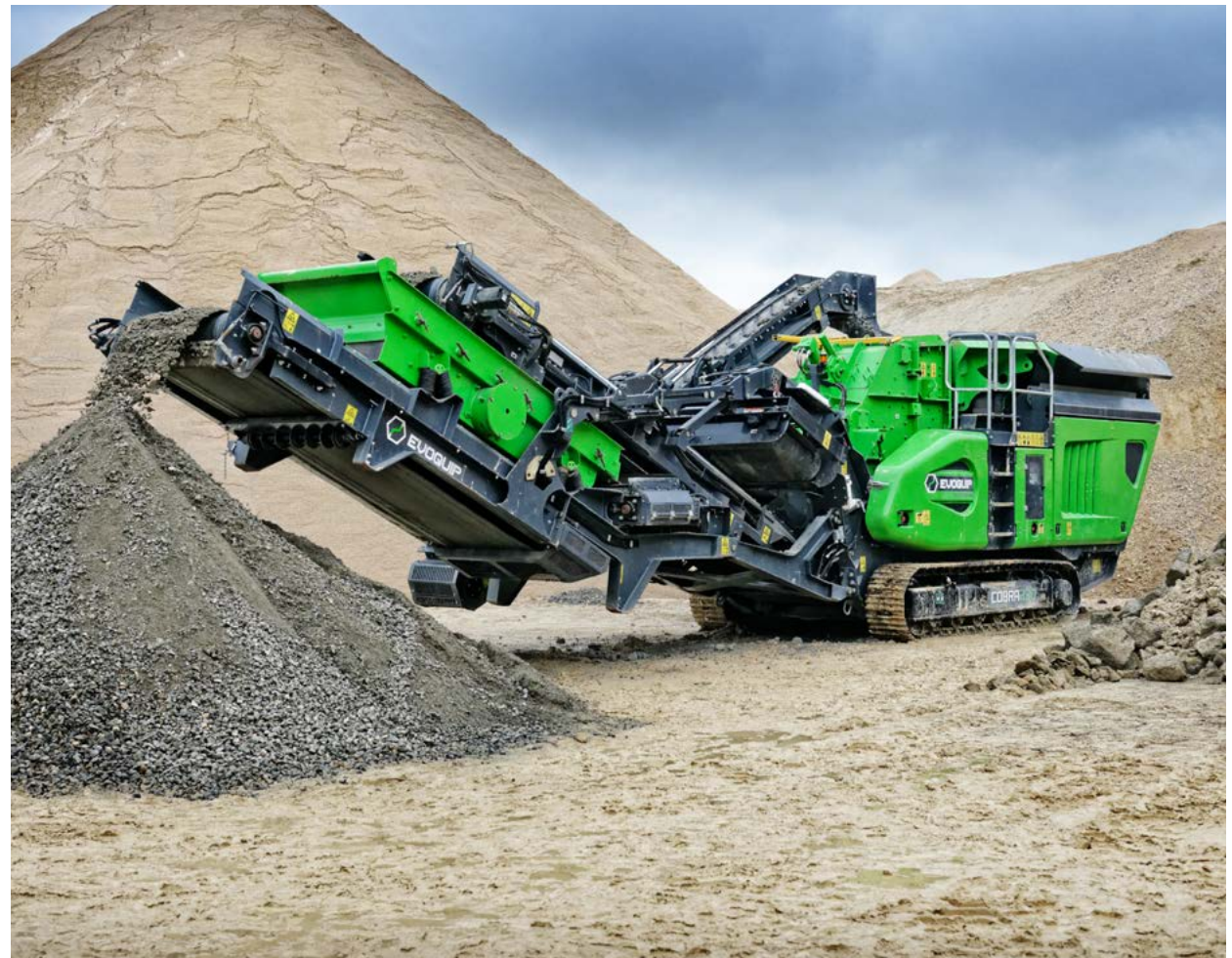
Conveyor detaches as part the
Afterscreen system



OPTIONS

FINES CONVEYOR

- Belt width: 1000mm (40")
- Belt specification: EP500/3, 5 + 1.5
- Discharge height: 2.5m (8' 2")



OPTIONS

ELECTRICAL CONTROL

Radio Remote Control



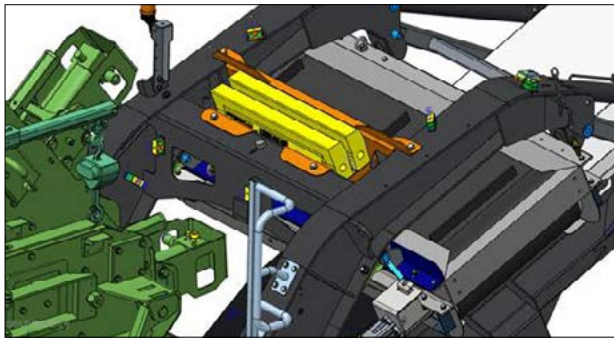
Telemetry



OPTIONS

OTHER OPTIONS

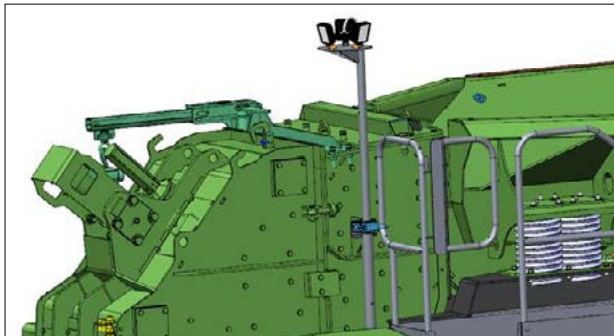
Blowbar Storage Rack



Hot / Cold Climate Oils



Plant lighting Mast



Dust suppression pump



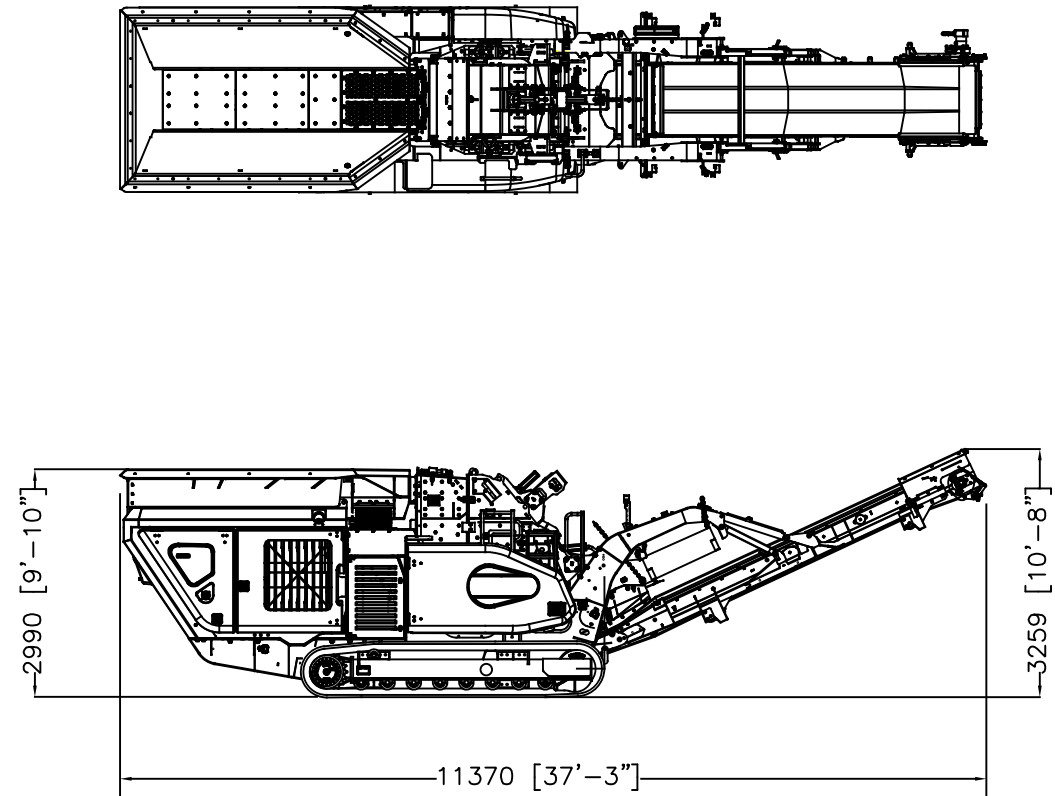
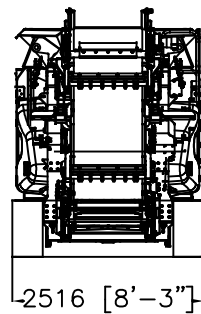
WEIGHTS & DIMENSIONS

WORKING DIMENSIONS - COBRA 230

Length: 11.32m (37' 2")

Width: 2.43m (8' 0")

Height: 3.0m (9' 10")



WEIGHTS & DIMENSIONS

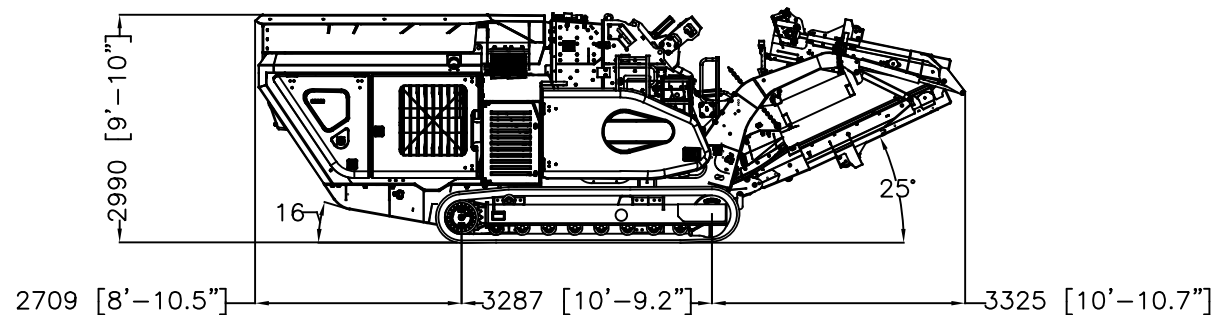
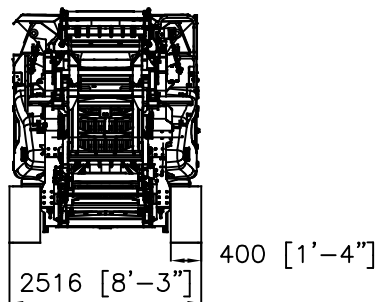
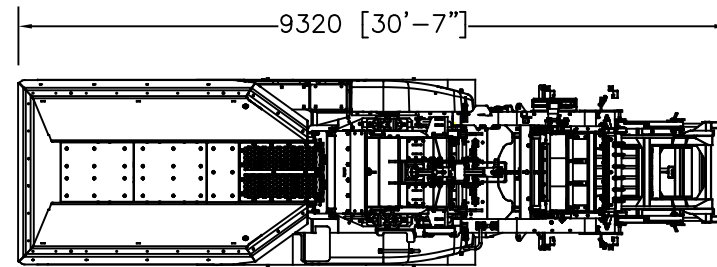
TRANSPORT DIMENSIONS - COBRA 230

Length: 9.32m (30' 7")

Width: 2.46m (8' 1")

Height: 3.0m (9' 10")

Weight: 23.6mT (Weight of the constant speed machine with single pole magnet.)
Tier 4 machine with single pole magnet is 24 tonnes (52,911lbs)



WEIGHTS & DIMENSIONS

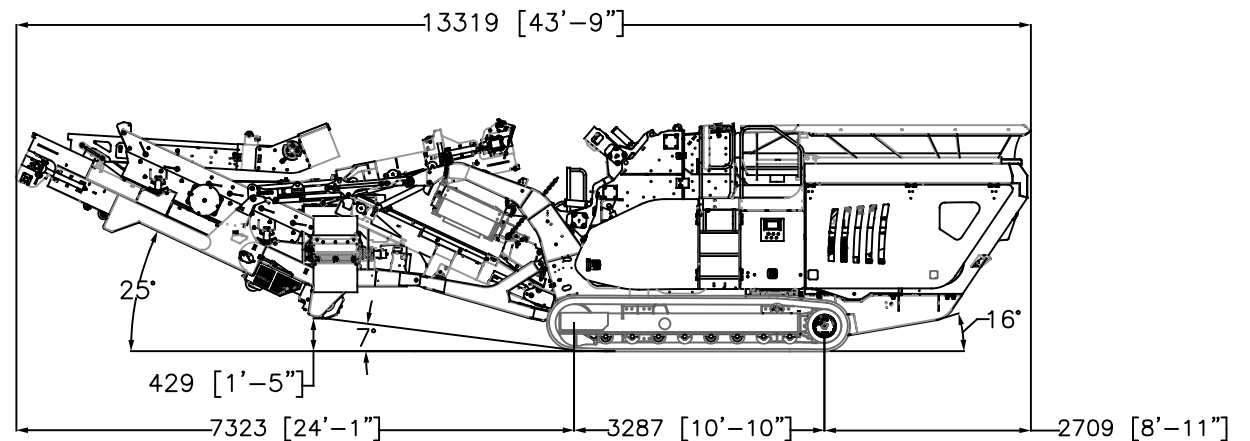
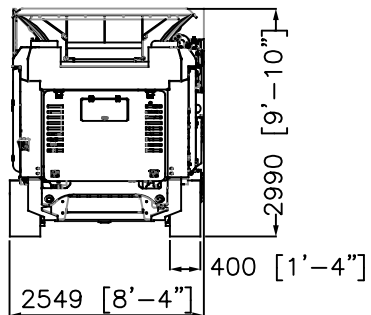
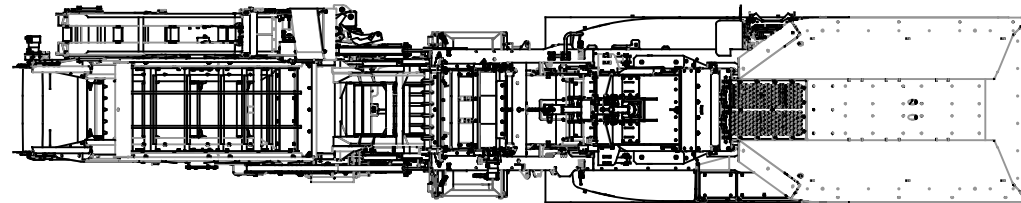
TRANSPORT DIMENSIONS (AFTERSCREEN)

Length: 13.27m (43' 7")

Width: 2.55m (8' 4")

Height: 3.0m (9' 10")

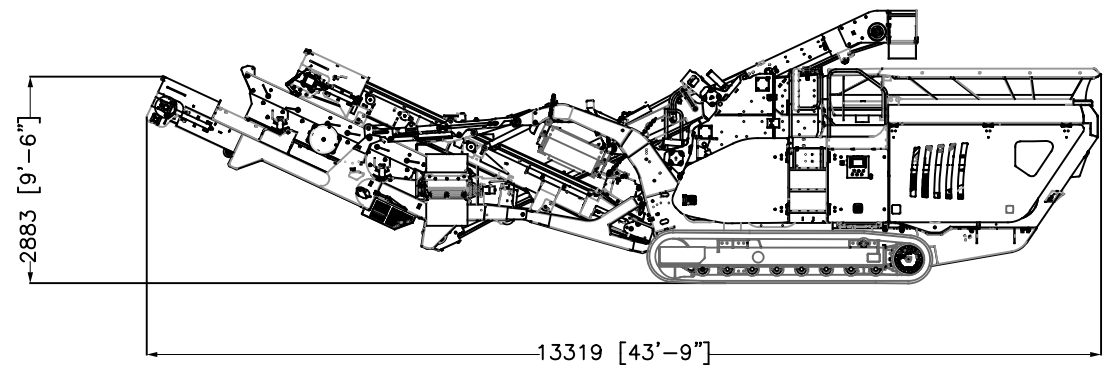
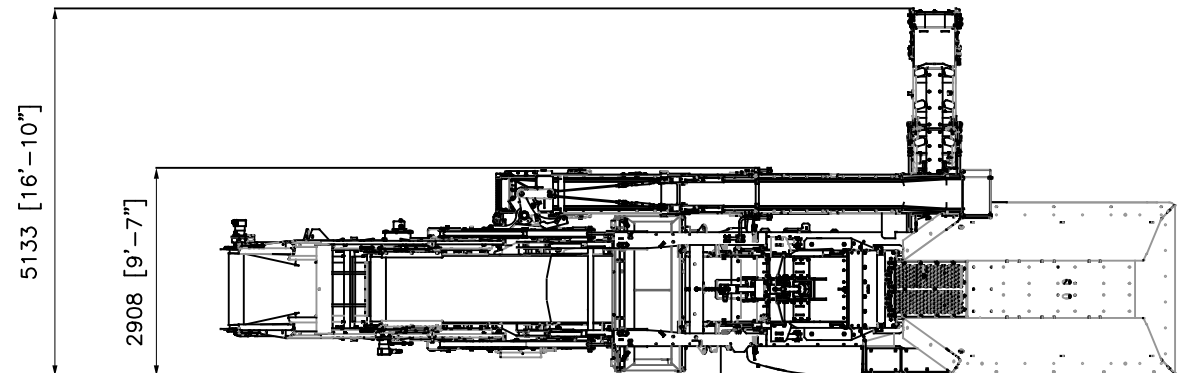
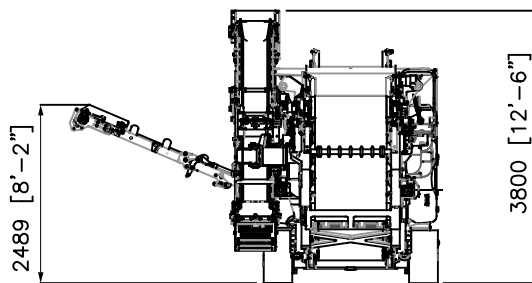
Weight: 30mT (66,000lbs)



WEIGHTS & DIMENSIONS

WORKING DIMENSIONS (AFTERSCREEN)

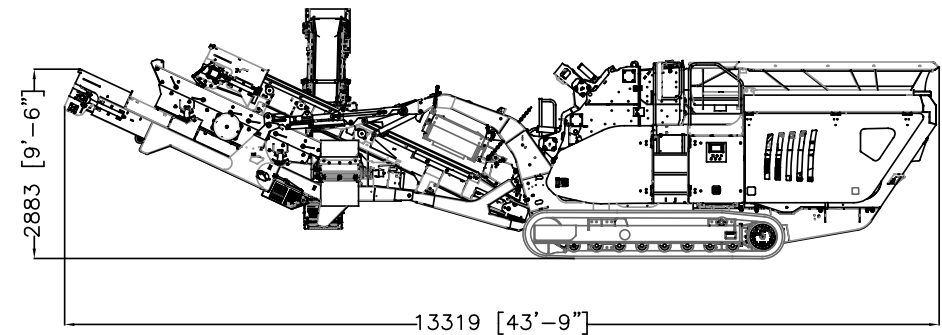
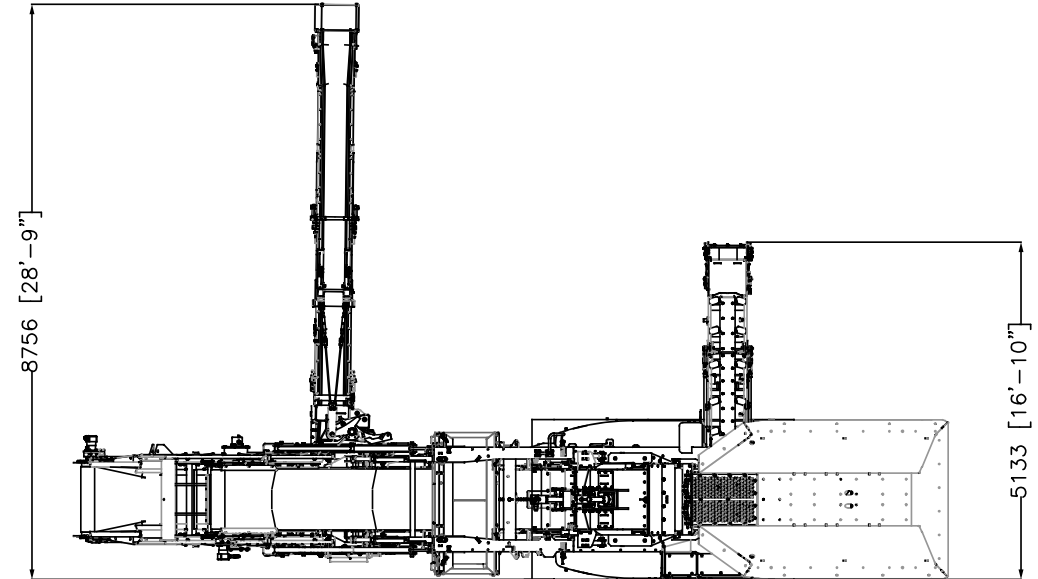
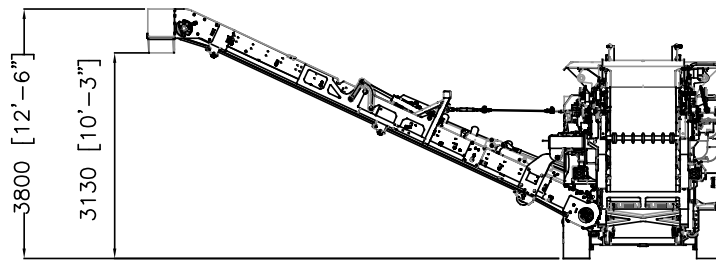
Machine in recirculating mode with side conveyor



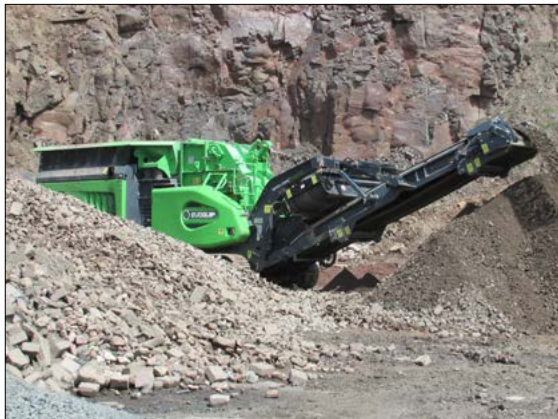
WEIGHTS & DIMENSIONS

WORKING DIMENSIONS (AFTERSCREEN)

Machine in stockpile mode with side conveyor



GALLERY & MEDIA



200 Coalisland Road,
Dungannon, Co. Tyrone, BT714DR
Tel: +442887718500
Email: evoquip@terex.com



terex.com/EvoQuip

The material in this document is for information only and is subject to change without notice.

Terex assumes no liability resulting from errors or omissions in this document, or from the use of the information contained herein.

Due to continual product development we reserve the right to change specifications without notice.

Photographs are for illustrative purposes only, some or all of the machines in the illustrations may be fitted with optional extras.

Copyright 2018 Terex GB Limited. Published in May 2018.